

Rugged Industrial PDA 4.3"

E430T-C

Product Features:

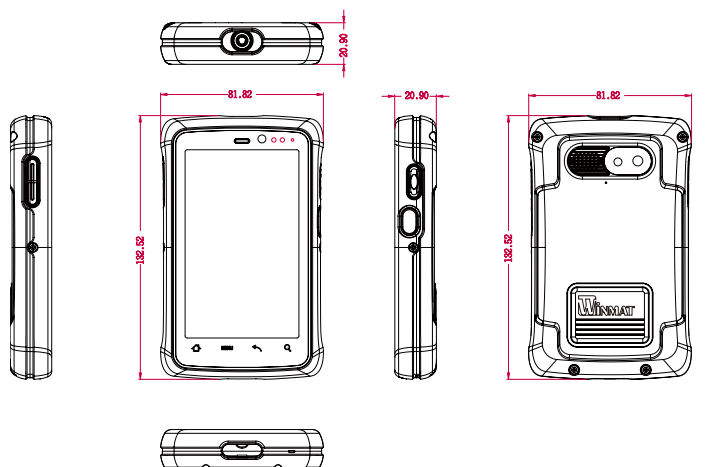
- Projective Capacitive Multi-touch.
- Built-in Wi-Fi/ Bluetooth/ GPS / Optional 3G Communication
- 5 Mega-pixel camera with LED at rear side
- Water and dust proof ID IP65 design
- Compliance with MIL-STD-810G for High/Low temperature, Vibration, Drop test
- Support Windows CE 6.0 operating system

Product Specifications:

System Specification	Processor	TI Cortex A8 OMAP DM3730 1GHz		
	System Memory	512MB SDRAM		
	Storage	512MB NAND flash		
	Operating System	Windows CE 6.0		
Display Specification	Size	4.3"		
	Resolution	480 x 800		
	Brightness	400(typ.)		
	Touch	Projective Capacitive Multi-touch		
Wireless Communication	WLAN	802.11 b/g/n		
	Bluetooth	Bluetooth V2.1+EDR		
	WWAN	GSM / GPRS / EDGE / WCDMA / HSDPA / HSUPA (optional ; for data Transmission)		
	GPS	Built-in U-Blox GPS module		
Mechanical and Environment	Dimensions (W x L x H)	132.2 x 82 x 21.5 mm		
	Weight	220g		
	Operation Temperature	-20 deg.C to 60 deg.C(AC Mode) -10 deg.C to 50 deg.C(Battery Mode)		
	Operation Humidity	95% RH, non-condensing		
	IP Proof	IP65		
	Shock	Shock MIL-STD-810G M516.6		
	Vibration	Vibration MIL-STD-810G M514.6		
	Drop	MIL-STD-810G M516.6, 4 ft, Free to concrete		
	Certifications	CE, FCC,CCC,UL		
I/O Connectors	External I/O	1 x Micro USB 1 x 3.5mm Audio jack for microphone and headset		
	Internal I/O	1 x SIM card slot 1 x Micro SD card slot		
	Internal Audio Device		1 x Microphone 1 x Earphone 1 x Speaker	
		Dedicated keys	Control button	1 x Volume + 1 x Volume - 1 x Power button 1 x Function button 4 x Capacitive buttons: Home/ Menu/ ESC/ Search
				LED indicator
	Field Service Feature			Main Camera (Rear)
Light Sensor				Built-in
Proximity (Light) Sensor		Built-in		
Power	Battery	3.7V 2600mAh Li-poly rechargeable battery		
	Battery Operating Time	9Hr *		
	Adapter	5V 1A Adapter		

*Note: Measured at dimming LCD brightness. Varies depending on the usage conditions, or when an external device is attached.

Drawing



Order Information:

Model Name	Configuration
E430T-C	No 3G+ Win CE 6.0
E430T-3C	3G+ Win CE 6.0