

# 10.1" Rugged Tablet PC (with Barcode)

M101B-BH

## Product Features:

- 10.1" 1920x1200 IPS LED Panel with P-Cap Touch
- Long battery life with Intel® BayTrail-M processor
- IP65 water and dust proof
- Built-in 1D/2D Intermec EA30 Barcode Reader
- Dual Camera Design: 5MP Main camera with LED flash / 2MP Webcam
- Optional Expansion port for USB / RS232 connection
- Hot-Swappable Battery Design / Optional high capacity battery pack
- 2 Programmable function keys
- Computrace® theft protection support
- With Optical Bonding for Sunlight Readability



CE FC EN60601

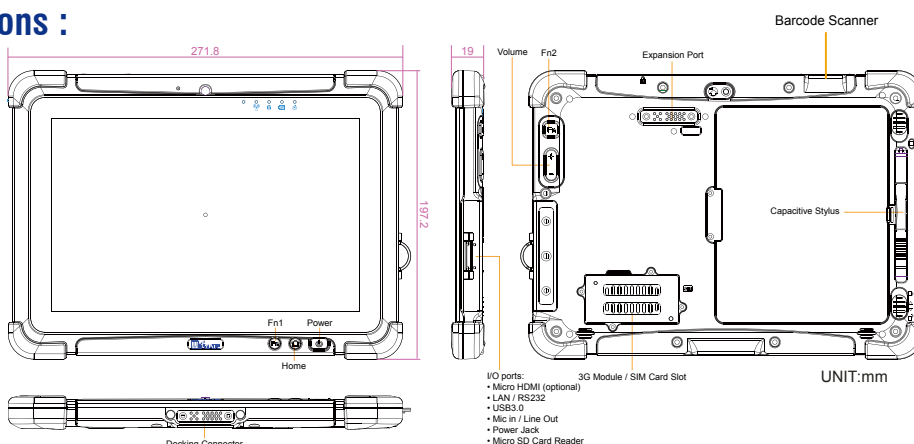
## Product Specifications:

System Specification	Processor	Intel BayTrail-M Quad-Core 1.8GHz
	System Memory	4GB SODIMM DDR3L-1600 (up to 8GB)
Display Specification	Storage	64GB mSATA MLC SSD (up to 256GB)
	Operating System	Windows 10 IoT Enterprise Windows Embedded 8.1 Industry Pro Windows Embedded Standard 7 Windows 7 Pro for Embedded Systems
	Size / Technology	10.1-inch IPS LED backlight
	Resolution	1920x1200 WUXGA
Wireless Communication	Brightness	700 nits typ. With Optical Bonding for Sunlight Readability
	Touch	Multi-Touch Projective Capacitive
System I/O	Contrast Ratio	800:1
	Buttons	1 x Power, 1 x Home, 2 x Programmable Function Key, 2 x Volume Key
Buttons Indicators Sensors Security	LED Indicators	Power, Battery, HDD, RF
	Sensors	Light sensor, G sensor, Gyrometer, E-compass
Data Capture	Security	Password security for user and hard disk lock Kensington lock slot Trusted platform module (TPM) V1.2 Computrace® theft protection support
	Camera	5MP Auto-Focus Camera with LED Flash at rear / 2MP Camera at front side
Mechanical and Environment	Barcode	Short range 1D/2D Intermec EA30 Barcode Reader
	Dimension (W x L x H)	271.8 x 197.2 x 19 mm (10.7 x 7.76 x 0.75 inches)
Power Management	Weight	1.2 kg (2.7 lbs) with standard battery, 1.4 kg (3.1 lbs) with optional high capacity battery
	Operating Temperature	-20°C to 60°C (AD mode), -10°C to 50°C (Battery mode)
Power Management	Storage Temperature	-30°C to 70°C (-22°F to 158°F)
	Humidity	10 to 90% RH, non-condensing
Power Management	IP Proof	IP65
	Shock	MIL-STD-810G Method 516.6 Procedure I
Power Management	Vibration	MIL-STD-810G Method 514.6 Procedure I
	Drop	MIL-STD-810G Method 516.6, 4 ft to concrete*
Power Management	Certifications	CE, FCC, IC, UL 60950, EN60601**
	Power Input	12-19V DC
Power Management	Battery	7.4V, typ. 5300 mAh, min. 5140 mAh Li-Polymer Battery (2S1P) 7.4V, typ. 10600 mAh, min. 10280 mAh Li-Polymer Battery (2S2P, optional)
	Battery Operating Time	Std. Battery: 8 hours*** High Capacity Battery: 16 hours***
Power Management	Adapter	100-240V, 50-60Hz / 19V DC

- \* Note: The drop test with high-capacity battery must come with hand strap.
- \*\* Note: EN60601 certified with optional power adapter for medical use
- \*\*\* Note: Measured at dimming LCD brightness. Varies depending on the usage conditions, or when an external device is attached.

- \*\*\*\* Note: this is a simplified drawing and some components are not marked in detail. Please contact our sales representative if you need further product information.
- \*\*\*\*\* Note: All Specifications are subject to change without prior notice.

## Dimensions :



Accessories:	
1.	19V 65W Power Adapter x 1
2.	Power Cord x 1
3.	Standard Battery x 1
4.	M101 Quick Start Guide x 1
5.	Manual & Drive r CD x 1
6.	Capacitive Stylus x 1

Barcode Reader Symbolologies	
2D	Data Matrix, PDF417, Micro PDF 417, Codablock, Maxicode, QR, Aztec, GS1 composite codes
1D	EAN/UPC, GS1 Databar, RSS, Code 39, Code 128, UCC/EAN 128, ISBN, ISBT, Interleaved/Matrix/ Industrial and Standard 2 of 5, Codabar, Code 93/93, Code 11, MSI, Plessey, Telepen, Postal codes

Order Information:	
M101B-BH	Barcode
M101B-3BH	Barcode + 3G
M101B-LBHE	Barcode + 4G/LTE for Europe
M101B-LBHA	Barcode + 4G/LTE for North America