

10.1" Rugged Tablet PC

M101H

Product Features:

- 10.1" 1920x1200 IPS LED Panel with P-Cap Touch
- Sunlight Readable Display
- High-performance system with Intel Core i5-5200U Broadwell 2.2GHz (turbo to 2.7GHz)
- IP65 water and dust proof
- Optional 1D/2D Barcode Reader
- Dual Camera Design: 5MP Main camera with LED flash / 2MP Webcam
- Optional Expansion port for USB / RS232 connection
- Hot-Swappable Battery Design / Optional high capacity battery pack
- 2 Programmable function keys
- With Optical Bonding for Sunlight Readability

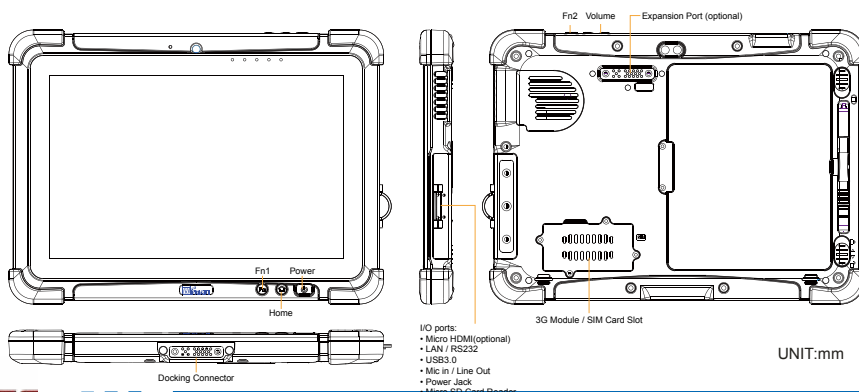


CE FC

Product Specifications:

System Specification	Processor	Intel Core i5-5200U Broadwell 2.2GHz (turbo to 2.7GHz)
	System Memory	4GB SODIMM DDR3L-1600 (up to 8GB)
	Storage	64GB mSATA MLC SSD (up to 256GB)
	Operating System	Windows 10 IoT Enterprise / Windows Embedded 8.1 Industry Pro / Windows Embedded Standard 7 (WS7P) / Windows 7 Pro for Embedded Systems
Display Specification	Size / Technology	10.1-inch IPS LED backlight
	Resolution	1920 x 1200 WUXGA
	Brightness	700 nits typ. With Optical Bonding for Sunlight Readability
	Touch	Multi-Touch Projective Capacitive
	Contrast Ratio	800:1
	Viewing Angle	89 / 89 / 89 / 89
Wireless Communication	WLAN	802.11 a/b/g/n
	Bluetooth	Bluetooth 4.0 + Class I
	GPS	u-Blox Neo-6Q
	WWAN	Optional 4G (LTE,HSPA+,GSM/GPRS/EDGE), E ^{V-DO} Rev A, 1xRTT) Optional 3G (HSPA+,GSM/GPRS/EDGE)
	Audio	1 x Built-in Mic, 2 x 1W Speaker
System I/O Buttons Indicators Sensors Security	External I/O	1 x Micro HDMI, 1 x 30-pin Combo Conn (LAN or RS232), 1 x USB3.0, 1 x Audio Combo Conn. (Mic in or Line Out), 1 x Power Jack, 1 x Micro SD Slot
	Buttons	1 x Power, 1 x Home, 1 x Function Key, 2 x Volume Key
	LED Indicators	Power / Battery / HDD/ RF
	Sensors	Light sensor/ G sensor / Gyrometer/ E-compass
	Security	Password security for user and hard disk lock Trusted platform module (TPM) V1.2
	Camera	5MP Auto-Focus Camera with LED Flash at rear 2MP Camera at front side
Data Capture	Barcode	Short Range 1D/2D Barcode Reader (optional)
Mechanical and Environment	Dimension (W x L x H)	271.8 x 197.2 x 21 mm (10.7 x 7.76 x 0.83 inches)
	Weight	1.25 kg (2.7 lbs) with standard battery, 1.45 kg (3.2 lbs) with optional high capacity battery
	Operating Temperature	-20°C to 60°C (AC mode), -10°C to 50°C (Battery mode)
	Storage Temperature	-30°C to 70°C (-22°F to 158°F)
	Humidity	10% to 90% RH, non-condensing
	IP Proof	IP65
	Shock	MIL-STD-810G Method 516.6 Procedure I
	Vibration	MIL-STD-810G Method 514.6 Procedure I
	Drop	MIL-STD-810G Method 516.6, 4 ft to concrete*
Certifications	CE, FCC	
Power Management	Power Input	12-19V DC
	Battery	7.4V, typ. 5300 mAh, min. 5140 mAh Li-Polymer Battery (2S1P) 7.4V, typ. 10600 mAh, min. 10280 mAh Li-Polymer Battery (2S2 ^P , optional)
	Battery Operating Time	Std. Battery: 8 hours** High Capacity Battery: 16 hours**
	Adapter	100-240V, 50-60Hz, 19V DC

Dimensions :



- * Note: The drop test with high-capacity battery must come with hand strap.
- ** Note: Measured at dimming LCD brightness. Varies depending on the usage conditions, or when an external device is attached.
- *** Note: this is a simplified drawing and some components are not marked in detail.
- **** Please contact our sales representative if you need further product information.
- ***** Note: All Specifications are subject to change without prior notice.

Accessories:	
1.	19V 65W Power Adapter x 1
2.	Power Cord x 1
3.	Standard Battery x 1
4.	M101 Quick Start Guide x 1
5.	Manual & Driver CD x 1
6.	Capacitive Stylus x 1

Order Information:	
M101H	Basic
M101H-3	3G
M101H-LE	4G/LTE for Europe
M101H-LA	4G/LTE for North America