

M101S, 10.1-inch Rugged Tablet PC

A Rugged Tablet that Can Survive Any Environment and Get Real Work Done.

M101S is a rugged tablet PC with robust set of features designed to withstand industrial use while providing high tech solutions that increase productivity, improve safety, and reduce operational costs. The processing power comes from Intel's core i5-7200U Kaby lake processor paired with genuine Intel graphics for high performance. The tablet features a brilliant, in-plane switching with direct optical bonding, projective capacitive touch screen, which is outdoor viewable and offers 1920 x 1200 pixel resolution. Weighing at just 2.7 pounds (approx. 1250 grams) the M101S delivers lightweight mobility in a rugged tablet.



Highlights

- 7th Gen Intel Core i5 Processor
- 10.1" 1920 x 1200 IPS LED Panel with direct optical bonding
- Optional 1D/2D Barcode Reader and HF RFID for data collection
- Hot-swappable battery design with optional High capacity battery pack
- IP65 waterproof and dustproof
- Rated for extreme temperature use

	Order Information			
	3G	4G	1D/2D Barcode Reader	HF RFID
M101S	Optional	Optional	N/A	N/A
M101S-HF	Optional	Optional	N/A	Default
M101S-H2	Optional	Optional	Default	Default
M101S-BH	Optional	Optional	Default	N/A
M101S-LA	N/A	4G/LTE for North America	Optional	Optional
M101S-LE	N/A	4G/LTE for Europe	Optional	Optional

M101S, 10.1-inch Rugged Tablet PC

A Rugged Tablet that Can Survive Any Environment and Get Real Work Done.

Display Specification

Size	10.1-inch IPS display with LED Backlight
Resolution	1920 x 1200 WUXGA
Brightness	8-800 nit With Direct optical bonding for sunlight readable
Touch	Multi-touch projected capacitive
Contrast Ratio	800:1
Viewing angle	85/85/85/85
Technology	<ul style="list-style-type: none">• Anti reflective and anti-glare technology (Optional)• Ambient light sensor, e-compass, gyro, acceleration sensors• Automatic screen rotation• Intel HD Graphics 520 (built-in CPU) video controller

System Specification

Processor	Intel Core i5-7200U Kaby lake 2.5GHz (turbo to 3.1GHz)
System Memory	4GB DDR4 SDRAM ¹ (up to 8GB)
Storage	64GB solid state drive (SSD) Optional 512GB, up to 128GB additional storage with optional microSDXC card slot
Operating system	Windows 10 IoT Enterprise

Wireless Communication

WLAN	802.11 a/b/g/n/ac
Bluetooth	Bluetooth 4.2
GNSS	GPS, GLONASS, BeiDou
WWAN	<ul style="list-style-type: none">• Optional 4G (LTE, HSPA+, GSM/GPRS/EDGE, EV-DO Rev A, 1xRTT)• Optional 3G (HSPA+, GSM/GPRS/EDGE)

Interface

Docking Connector	1 x 19-pin docking connector
HDMI	1 x micro HDMI
USB	1 x USB3.0 (Type A), 1 x USB3.0 (Type C)
Power input	1 x Power Jack
Micro SD	1 x micro SD Slot
Audio connector	1 x Audio combo connector (Mic in or line out)

Keyboard and Input

Touch	<ul style="list-style-type: none">• 10-point multi touch, support Rain, Stylus, Glove Modes• On-screen QWERTY keyboard
Button	1 x power, 1 x Home, 2 x volume key 2 x function key (Programmable function key configured by Hottab Utility)
LED Indicators	Power / Battery / HDD/ RF

Audio

Microphone	Built-in dual Digital Mic with Noise Cancellation
Speaker	2 x 1 watt speaker

Cameras

Web camera	2MP webcam
Rear camera	8MP rear camera with autofocus and LED light

Data Capture

Barcode	Optional 1D/2D Barcode Reader
RFID	Optional HF RFID reader 13.56 MHz

Security Function

Security	<ul style="list-style-type: none">• Password security for user and hard disk lock• Trusted Platform Module (TPM) V2.0 ²
Mobile Device Mgmt	SOTI Mobicontrol compatible ³

Mechanical and Environment

Dimension (W x L x H)	271.8 x 197.2 x 21 mm (10.7 x 7.76 x 0.83 inches) ⁴
Weight	1.25 kg (2.7 lbs) with standard battery, 1.45 kg (3.2 lbs) with optional high capacity battery
Operating Temperature	-20°C to 60°C (AC mode), -10°C to 50°C (Battery mode)
Storage Temperature	-30°C to 70°C (-22°F to 158°F)
Humidity	10% to 90% RH, non-condensing
IP Proof	IP65 certified, Dustproof and waterproof
Shock	MIL-STD-810G Method 516.6 Procedure I
Vibration	MIL-STD-810G Method 514.6 Procedure I
Drop	MIL-STD-810G Method 516.6, 4 ft to concrete ⁵

Power Management

Power Input	12-19V DC
Battery	7.4V, 5140 mAh Li-Polymer Battery (2S1P) 7.4V, 10280 mAh Li-Polymer Battery (2S2P, optional)
Battery Operating Time	Std. Battery: 8 hours ⁶ High Capacity Battery: 16 hours ⁶
Adapter	100-240V, 50-60Hz, 19V DC

Accessories

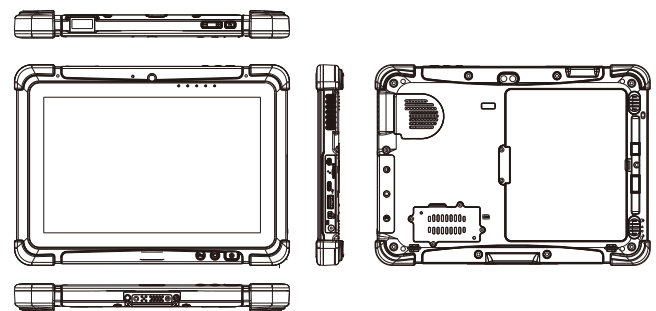
Standard Accessories

Adapter	922D065W19V1
Capacitive Stylus	9B0000000415
Standard Battery	98K000A0003T

Optional Accessories ⁷

Desk Dock	98DT00A0000E
Vehicle Dock (without VGA output)	98DT00A0000F
Vehicle Charger	9226065W19V0
High Capacity Battery	98K000A0003S
Battery Charger	98KT00A0000F
Hand Strap	98K000A0003J
Shoulder Strap	98K000A0003Q
Carry Bag	9B000000003J
Micro HDMI Cable	9491191190K1
Active Pen	98K000A0007D

Drawing ⁸



Do Not Expose the Battery Pack to Excessive Heat, or Extreme Heat (Near Fire, in Direct Sunlight for example)

Do not expose bare skin to this product when handling this unit in extreme hot or cold environments

1. Total usable memory will be less depending upon actual system configuration.
2. TPM 2.0 available upon request.
3. SOTI is available upon request.
4. Length measurements do not include protrusions. Weight varies with options and active pen.
5. The drop test with high-capacity battery must come with hand strap.
6. Measured at dimming LCD brightness. Varies depending on the usage conditions, or when an external device is attached.
7. Accessories and Integrated Options may vary depending on your configuration.
8. This is a simplified drawing and some components are not marked in detail.