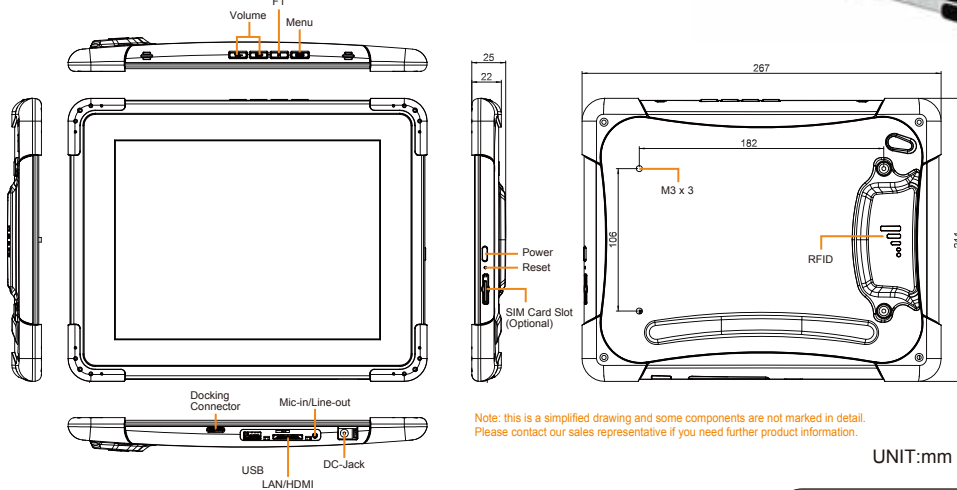


9.7" Compact Rugged tablet PC

Model :M970D-HF

Features:

- 9.7" 1024 x 768 Resolution with IPS LED Panel
- Low-power system with Intel® Atom N2600 processor.
- 2GB DDR3-800 memory
- Built-in Wi-Fi/ Bluetooth Module
- Standard Battery 5300 mAh
- Mobile- Shock, Vibration, and transit drop.
- IP54 Water & Dust proof
- Built-in GPS Module
- Built-in HF-RFID module
- Support 3G (for optional)



Note: this is a simplified drawing and some components are not marked in detail. Please contact our sales representative if you need further product information.



EN60601-1-1
EN60601-1-2

Accessories

- 1.12V 50W Power Adapter x 1
- 2.LAN (female) Adapter cable x 1
- 3.Tablet PC Quick Start Guide x 1
- 4.Manual & recovery CD x 1

System Specification

Operation System	: Windows Embedded Standard 7 WS7P Windows 7 Pro for Embedded Systems(Optional)
Processor	: Intel® Atom N2600 1.6GHz
System Chipset	: Intel® NM10 Chipset
System Memory	: 2GB DDR3 -800
Storage	: 32GB m-SATA SSD
Audio	: 1W speakerx2
Camera	: Auto Focus 5 Mega pixels camera with Flash in rear
Communication	: Wi-Fi 802.11a/b/g/n bluetooth 4.0 + Class I/GPS HF RFID Support ISO14443A/B & ISO15693 Frequency 13.56MHz (Default) 3G Module (Optional)

Control buttons

Control Button	: Power button in right side 1 x MENU Key, 1 x Function key 1 x Volume up, 1 x Volume down
LED indicator	: Power / Battery/ HDD Access/WiFi

Power Management

Power input	: 12V DC
Battery	: 5300mAh battery
Battery Operating Time	: 5 hours (test via battery life 4.0)
Adapter	: 100- 240 V , 50-60 Hz / 12V DC input

Optional Accessories (refer to next page)

Vehicle Docking
Desk Docking
HDMI (female) Adapter Cable
Charging Cart (totally charging 32 pcs)
Capacitive Touch Stylus

Mechanical and Environment

Dimensions (W x L x H)	: 267(W) x 210(L) x 22(H)
Weight	: 988g
Operation Temperature	: Operating: 0° C ~ 50° C
Battery charging Temp.	: 0° C ~45° C
Operation Humidity	: 30%~90% (non condensing)
Drop	: 4 feet
Certifications	: FCC, CE, CCC, EN60601-1-1, EN60601-1-2
IP Proof	: IP54

Display Specification

Pixel Number	: 1024(H) × 768(V)
Brightness	: 350 cd/m2 (Minimum)
Touch	: Projective-capacity touch (4 points)

I/O Connectors

I/ O Port : 1 x 12V DC jack, 1 x USB, 1 x Line out/Mic in, 1x30 pin connector for LAN & HDMI Output (HDMI Adapter cable for Optional)

*note

Battery	flat	Vertical
Charging	0~40 C	0~45 C
Discharging	0~45 C	0~50 C

9.7" Compact Rugged tablet PC

OPTIONAL ACCESSORIES



Vehicle Docking

Model Name:VD-M970D
Winmate Part Number:98KT00A00004
(Optional VGA out support Windows7 only)

- ◆ Hold the Tablet tightly on the moving vehicle
- ◆ Support both terminal block & 2.5φ power jack vinput
- ◆ 9~36V DC-in wide range DC input
- ◆ IP52 design (Rain prove)



Table Docking

Model Name:DCK97-V2
Winmate Part Number:98K000A00021
(Optional VGA out support Windows7 only)

- ◆ 12V DC-in for Charging
- ◆ USB 2.0 x 2
- ◆ VGA Output max to 1024 x 768
- ◆ LAN x 1 10/100Mb



HDMI Adapter Cable

Winmate Part Number: 94E0190300K0

- ◆ For HDMI output from 30 pin extension port
- ◆ Length:10cm
- ◆ HDMI connector: Type A, female



Hand-Strap

Model Name:M97SP-V1
Winmate Part Number:98K000A0001K

- ◆ The ergonomic hand-strap can help you handle the Rugged Tablet PC much more easily and comfortable.



Charging Cart

Model Name:M97CC-V2
Winmate Part Number:98KT00A00003

- ◆ Charge max. up to 32 pcs of tablet PC at the same time
- ◆ Lockable doors and casters design for security and safety



VESA Mounting Kit

Model Name:M97VS-V1
Winmate Part Number:98K000A0001N

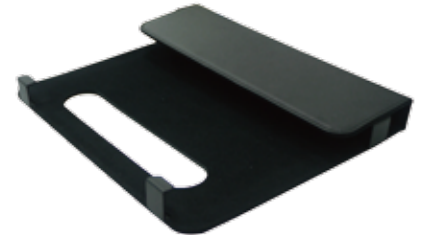
- ◆ VESA 75 x 75 mm screw hole



Mobile Power Station

Model Name:M44BW-100
Winmate Part Number:9A000000000A

- ◆ Model Name: M44BW-100
- ◆ 8.4/12/16/19V DC out
- ◆ Capacity: 8800mAh



Holster

Model Name:M97HS-V1
Winmate Part Number:9B0000000314

- ◆ Holster fo r M970 series use