

Vehicle Docking for M970D

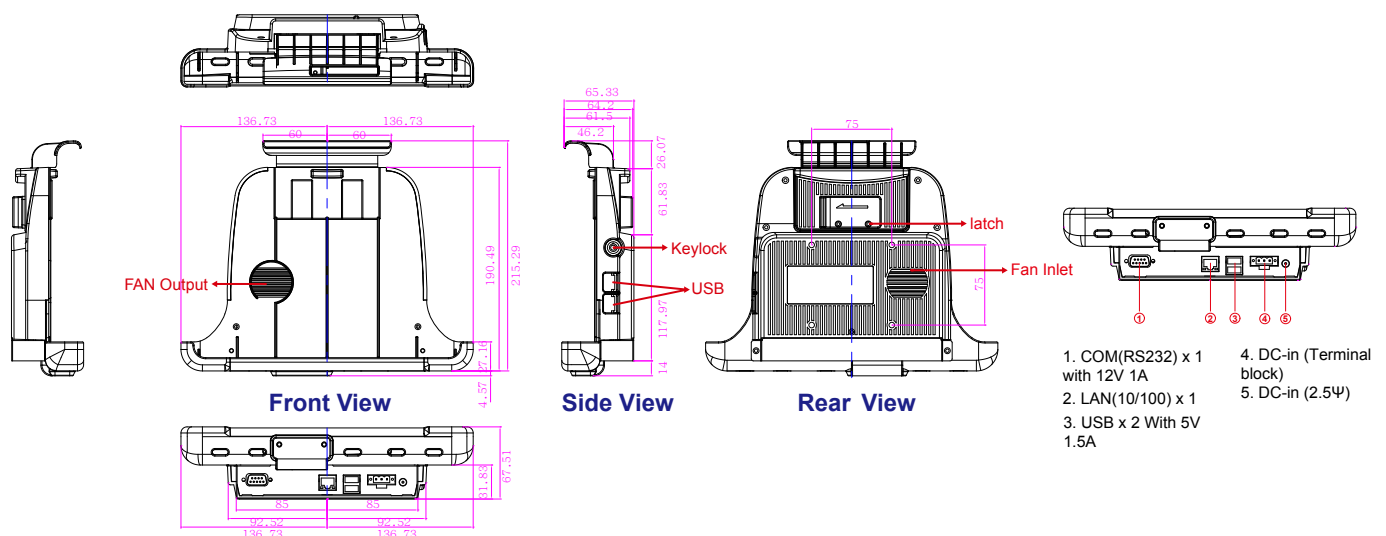
VD-M970D

Product Features:

- Hold the Tablet tightly on the moving vehicle
- Lockable design to avoid Tablet be taken away (with key)
- Support both terminal block & 2.5 ψ power jack input
- 9~36V DC-in wide range DC input
- Bottom I/O supported: USBx2 / LAN / COM / DC-in
- Side I/O Supported : USB x 2
- IP52 design (Rain proof)



Mechanical Drawing



One hand docking :



1 Insert the Tablet PC into the docking

2. Push down the hook, the lock will lock automatically

One hand undocking :



1. Slide the latch to open the hook

2. Remove the Tablet from docking

Specification

| | | |
|-------------|--------|---|
| Dimension | | 273.5 x 220 x 65.33 mm |
| Power Input | | 9~36V DC |
| I/O Support | Bottom | COM x1, USB x 2, LAN x1 DC-in (terminal block & 2.5 ψ power jack) |
| | Side | USB x 2 |
| Mounting | | 75 x 75mm VESA Holes |
| Vibration | | MIL Std. 810G, 5 ~ 500Hz, 2.24G |

| Rev. | Reasons | Revised Date |
|------|-------------|--------------|
| 1.3 | Spec change | Nov-25-2013 |
| 1.4 | Spec change | Apr-16-2014 |
| 1.4 | Spec change | Dec-26-2014 |